



Bekenflo

BEST OEM

INNOVATION

CATALOGUE 2020

BAH Horizontal slurry pumps

Heavy duty, horizontal slurry pump, are available either rubber or metal lined utilizing abrasive and corrosive resistant materials.

Applications:

Mining and Mineral Processing
Ball mill discharge
Bottom/fly ash, lime grinding
Coal
Coarse sand
Coarse tailings
Dredging
FGD
Fine Tailings
Flotation
Heavy Media
Minerals Concentrate
Mineral sands
Ni Acid slurry
Oil sands
Phosphoric acid
Phosphate matrix
Process Chemical
Pulp and paper
Rod mill discharge
SAG mill discharge
Wet Crushers
Flue Gas Desulphurisation
Sugar Processing
Sand and Gravel
Oil and gas exploration



Features:

Cartridge Bearing assembly and shaft

The shaft is designed with a short overhand to
Reduce shaft deflection Minimize vibration
Provided with hardened shaft sleeve to protect the shaft
Optional dimensionally interchangeable heavy duty bearing cartridge
assemblies. Cartridge assembly is retained on a one piece frame
INPRO labyrinth seals standard for best-in-class bearing protection

IMPELLER

Enclosed impellers to maximize efficiency
Pump out vanes on both shrouds
Minimizes recirculation
Reduces stuffing box pressure
Hard metal or elastomer liquid ends
Interchangeable hard metal and elastomer impellers
Cast-in impeller threads to protect shaft
Impeller clearance set by moving cartridge assembly.
Double Casing With Radial Split outer casing Easy to assembly and disassembly of liquid end
Standad ductile iron construction for higher working pressures
Removable liners are positively attached with fasteners

Dynamic Seals

Reduces or eliminates need for seal water
Reduces sleeve wear and possible bearing failure.

Interchangable Liners

Liners are positively attached
Hard metal and Elastomers/Liner options

BAH Horizontal slurry pumps are 100% fully interchangeable with the most common slurry pumps design in the mining industry.

INNOVATION:

Our slurry pumps use the liner of Corundum materials containing aluminium oxide Al_2O_3 95-99.5%, and casted in the temperature higher than $1700\text{ }^{\circ}C$ with hardness of 80-90 HRC. And casing and casing cover is using the ceramic liner shrouded with ss frame, the wearing character is 266 times of Mn Steel and 171.5 times of High Chrome.

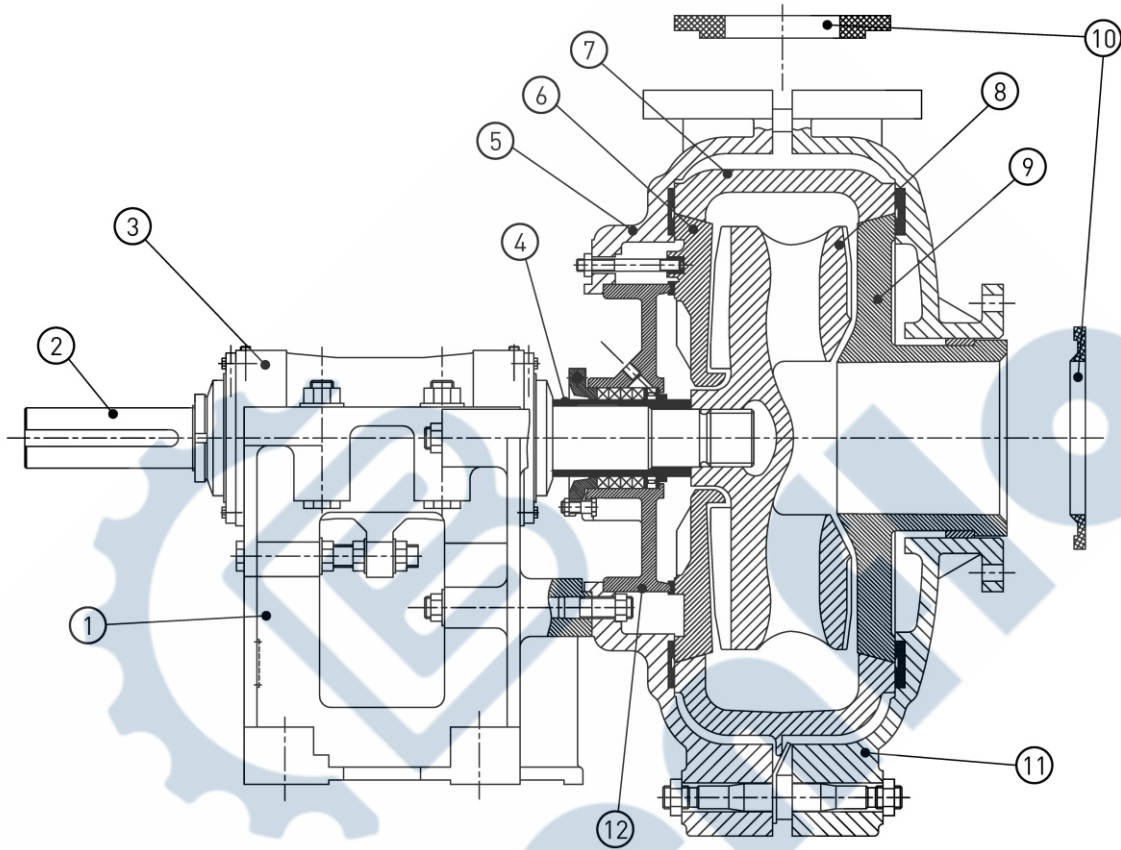
The service time of the pumps can be 5 times than the pumps under same conditions.

Remarks:

We have been OEM for many brands from Europe and USA

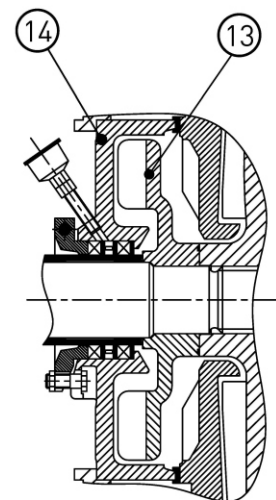
MATERIALS

METAL LINED PUMPS



No.	Part Description	Material Specification
1	Base	Cast Iron
2	Shaft	4140 High Tensile Steel*
3	Bearing Assembly	Timkin (Cast Iron Body)
4	Shaft Sleeve	420 Stainless Steel
5	Pump Casing	Cast Iron
6	Frame Plate Liner	27% Chrome White Iron
7	Volute Liner	27% Chrome White Iron
8	Impeller	27% Chrome White Iron
9	Throat Bush	27% Chrome White Iron
10	Joint Rings	Rubber
11	Cover Plate	Cast Iron
12	Stuffing Box	Cast Iron
13	Expeller	27% Chrome White Iron
14	Expeller Ring	Natural Rubber
	Bolts	Zinc Plated Steel
	O-rings	Nitrile Rubber
	Seals	Rubber

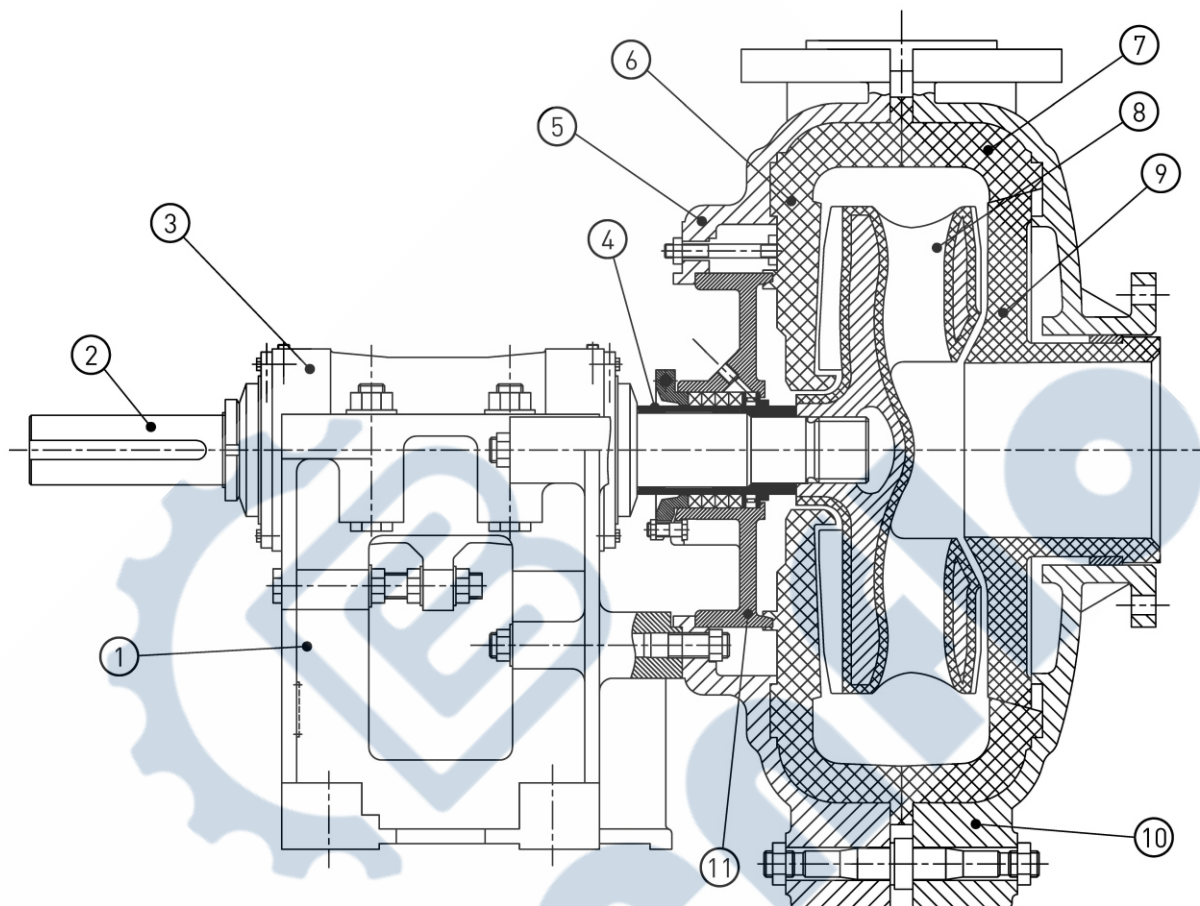
* Other shaft material options are available.



METAL EXPELLER

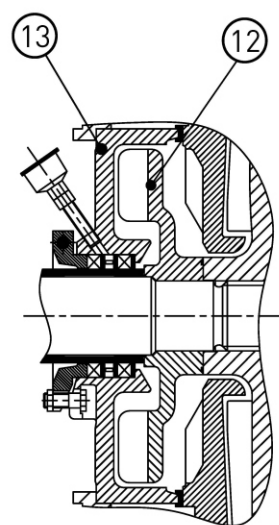
MATERIALS

RUBBER LINED PUMPS



No.	Part Description	Material Specification
1	Base	Cast Iron
2	Shaft	4140 High Tensile Steel*
3	Bearing Assembly	Timkin (Cast Iron Body)
4	Shaft Sleeve	420 Stainless Steel
5	Pump Casing	Cast Iron
6	Frame Plate Liner Insert	Rubber
7	Cover Plate Liner	Rubber
8	Impeller	Rubber Coated High Tensile Steel
9	Throat Bush	Rubber
10	Cover Plate	Cast Iron
11	Stuffing Box	Cast Iron
12	Expeller	27% Chrome White Iron
13	Expeller Ring	Natural Rubber
	Bolts	Zinc Plated Steel
	O-rings	Nitrile Rubber
	Seals	Rubber

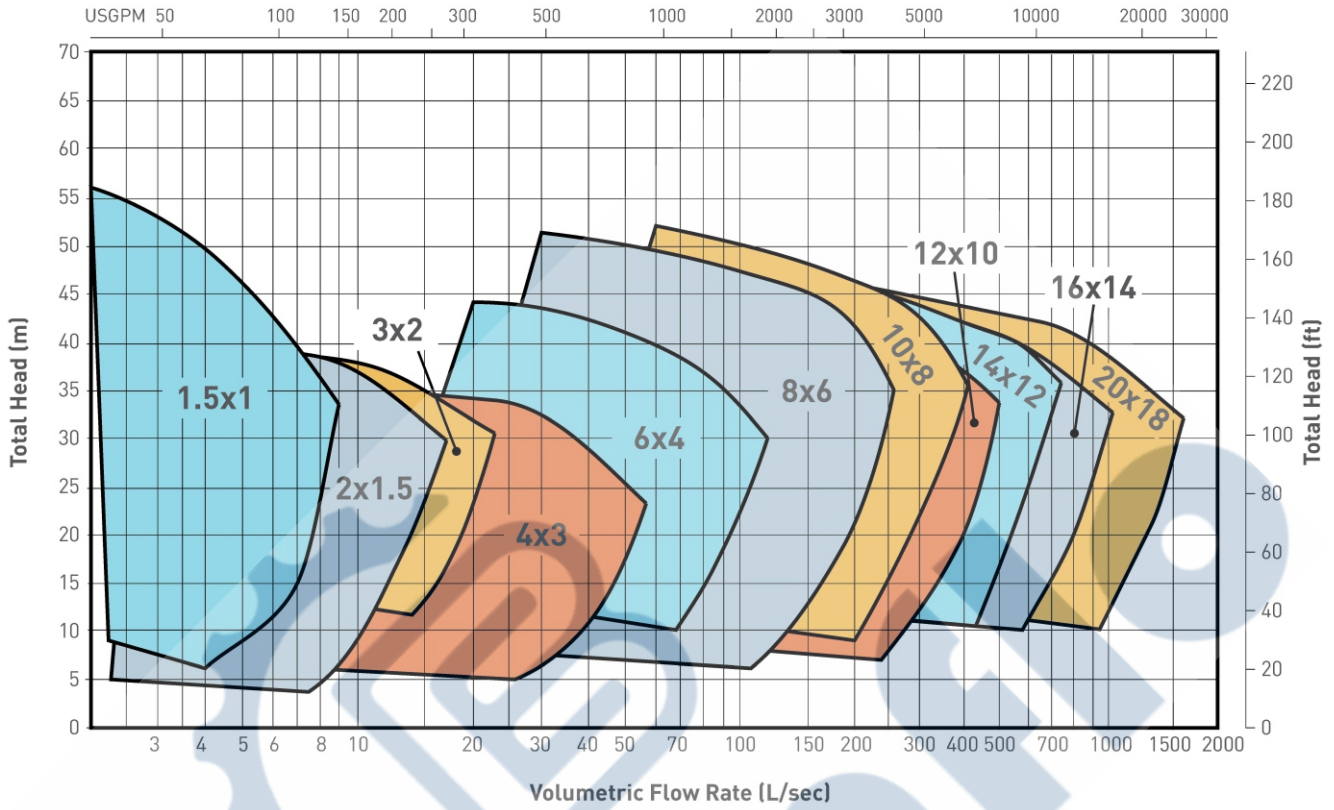
* Other shaft material options are available.



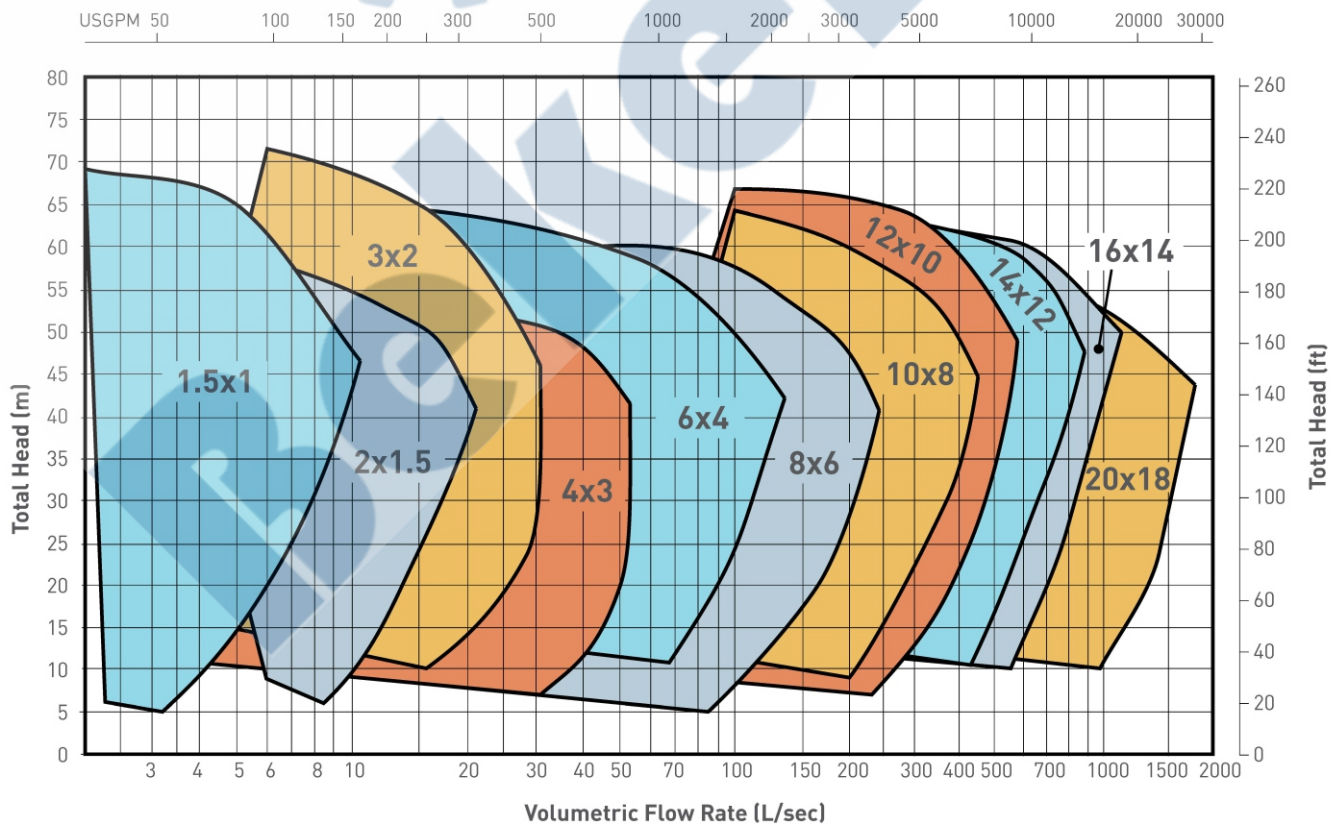
METAL EXPELLER
(RUBBER EXPELLER AVAILABLE)

PUMP PERFORMANCE

RUBBER LINED PUMPS

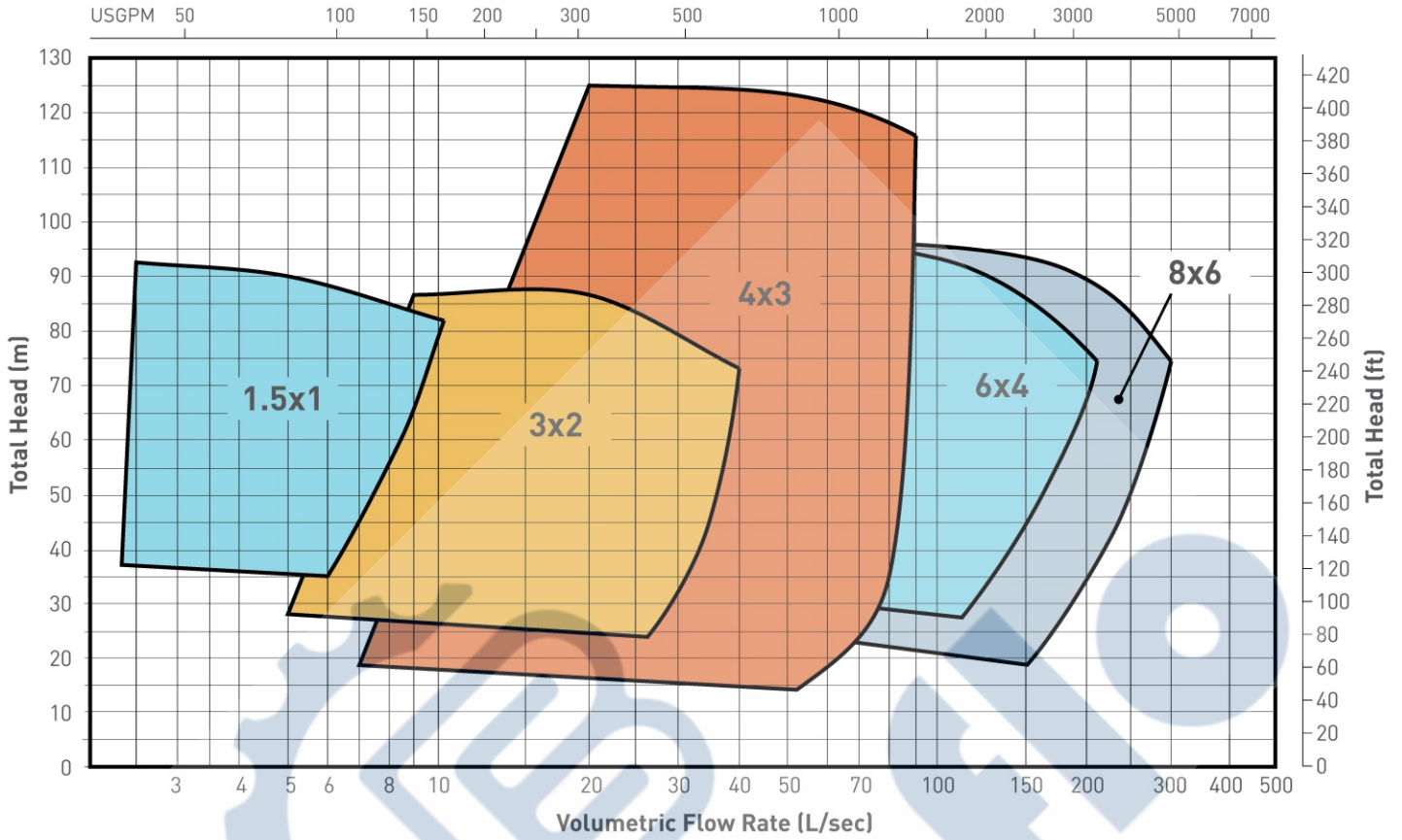


METAL LINED PUMPS

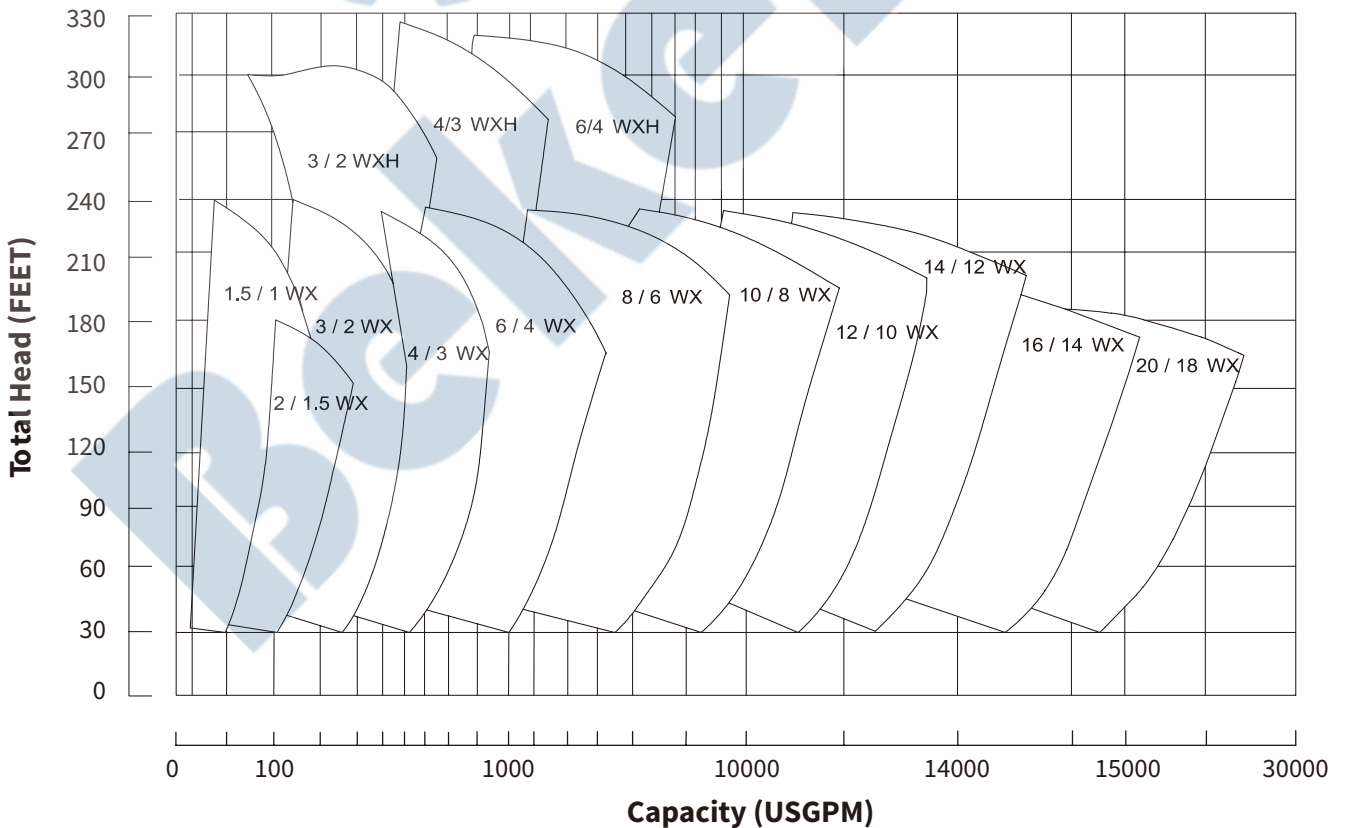


Performance curves are for clean, cold water only. Contact us to discuss pump selections for specific applications.

HIGH HEAD PUMPS

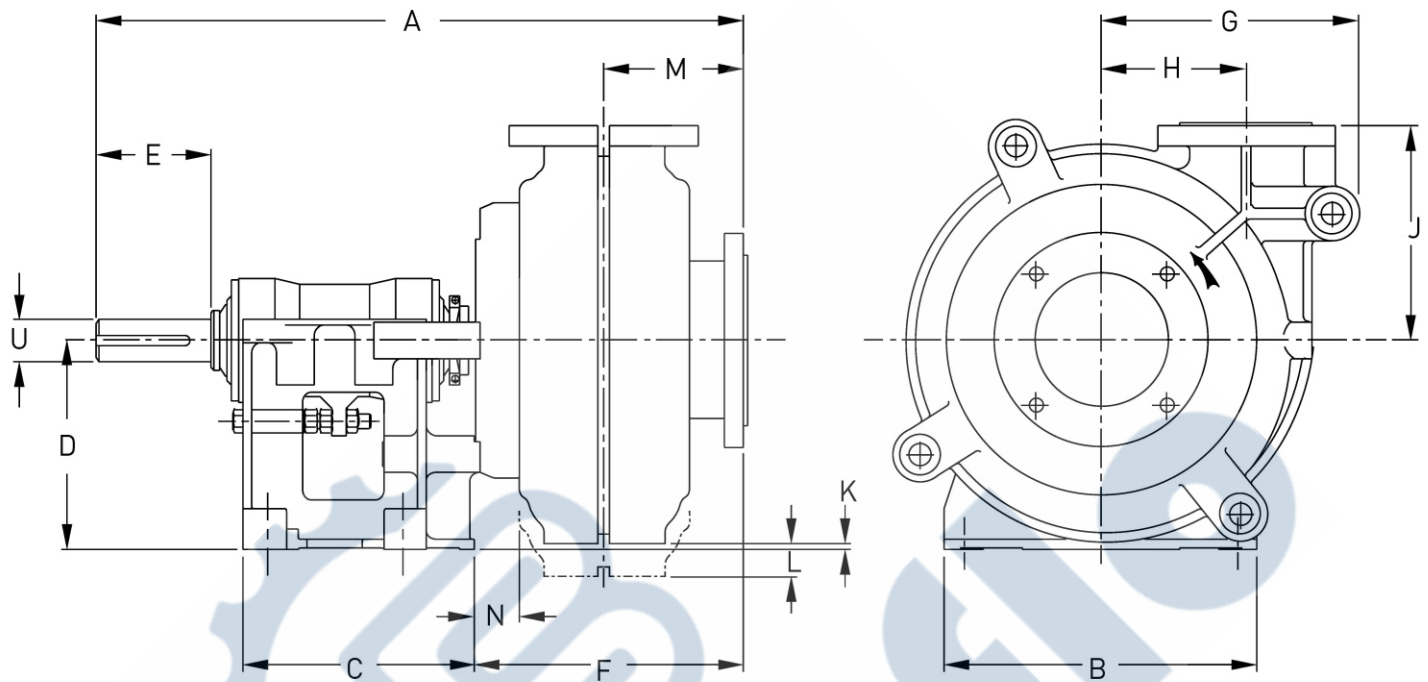


Hydraulic Coverage - 60HZ



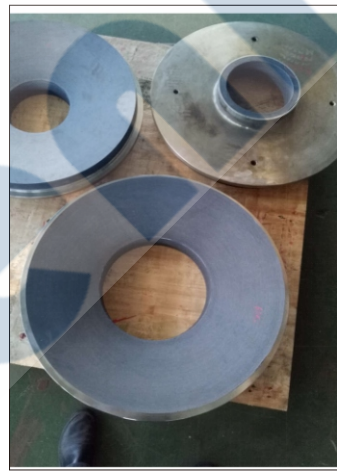
DIMENSIONS

GENERAL ARRANGEMENT DRAWING



Note: Drawing is indicative only and does not accurately represent how pumps of all sizes will appear.

Model	Dimensions (mm)															Weight (kg)	
	A	B	C	D	Key	E	F	G	H	J	K	L	M	N	U	Metal	Rubber
1.5x1 B	583	295	248	197	8x7	79	206	181	98	171	46	-	106	19	28	88	77
1.5x1 C - HH	759	406	311	254	12x8	121	306	270	194	254	-	11	121	66	42	318	-
2x1.5 B	592	295	248	197	8x7	79	217	203	114	184	33	-	114	22	28	156	118
3x2 C	768	406	311	254	12x8	121	280	238	138	210	71	-	151	40	42	197	154
3x2 D - HH	986	492	364	330	18x11	164	389	384	254	368	-	51	203	83	65	750	-
4x3 C	843	406	311	254	12x8	121	353	292	149	262	24	-	187	54	42	249	236
4x3 D	943	492	364	330	18x11	164	353	292	149	262	100	-	187	52	65	318	290
4x3 E - HH	1240	622	448	457	22x14	222	492	492	330	432	-	12	248	79	80	1250	-
6x4 D	1021	492	364	330	18x11	164	424	406	229	338	11	-	219	65	65	669	454
6x4 E	1178	622	448	457	22x14	222	433	406	229	338	138	-	219	75	80	885	635
6x4 F - HH	1556	857	634	610	28x16	279	585	616	413	546	-	134	305	75	100	3420	-
8x6 E	1302	622	448	457	22x14	222	557	551	318	460	-	62	292	82	80	1497	982
8x6 F	1507	857	635	610	28x16	279	539	551	318	460	90	-	292	65	100	1814	1390
8x6 T - HH	2275	1150	1040	650	36x20	350	852	835	584	813	-	160	394	-	150	6900	-
10x8 F	1646	991	705	610	28x16	279	683	673	419	635	-	12	333	134	100	3193	2581
10x8 ST	1748	1150	780	650	32x18	280	692	673	419	635	27	-	333	143	120	3742	3130
12x10 F	1721	991	705	610	28x16	279	753	756	464	673	-	104	381	108	100	3760	2808
12x10 ST	1816	1150	780	650	32x18	280	762	755	464	673	-	65	381	117	120	4309	3357
14x12 F	1772	991	705	610	28x16	279	803	937	629	832	-	263	406	105	100	5847	4123
14x12 ST	1873	1150	780	650	32x18	280	812	937	629	832	-	224	406	114	120	6396	4672
16x14 TU	2320	1460	1050	900	36x20	350	953	1048	660	889	-	84	451	167	150	9979	-
20x18 TU	2475	1460	1050	900	36x20	350	1100	1420	940	1230	-	420	480	210	150	18864	15921



Brands interchangeable:

Sulzer APP/AUP/CPT/MBN/MC/ZE,
Andritz ACP/MC, Godwin, Pioneer, KSB, Goulds 3196,
Durco Mark III, Gorman-rupp. Monoyo/Seepex/Netzsch,
Warman AH, Flowserve LC, Tsurumi pump, etc.



Fuzhou Beken Fluid Co.,LTD.

Add:11th floor, ZhongMing TianAo Building,
No.169 Hudong Road, GuLou District,Fuzhou,Fujian,China.

Tel: 0086-591-87557702

Fax: 0086-591-87557702

Website:www.bekenflo.com

Email: sales@bekenflo.com

Mobile: 0086-18065068870.

